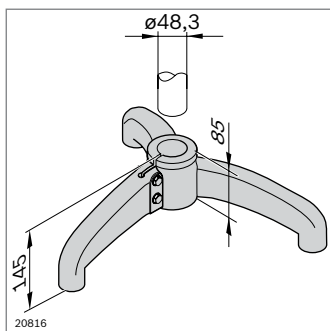


20815

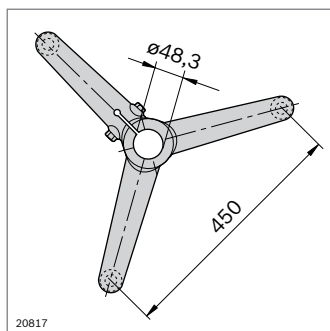
### Foot, stainless steel

- ▶ Components for constructing feet and frames using the stainless steel tube D 48.3
- ▶ Tube fastened by clamping
- ▶ Shaft thread M16

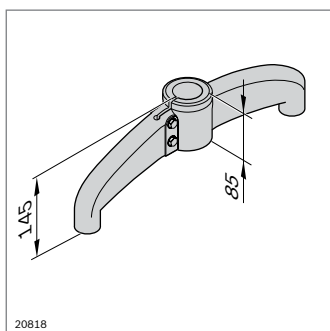
Optional accessories:  
leveling foot **3 842 533 310** (p. 6-5)



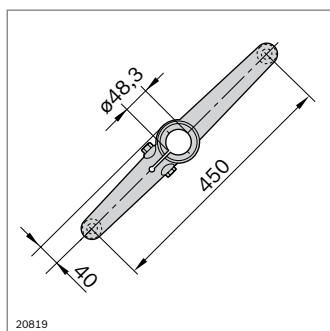
20816



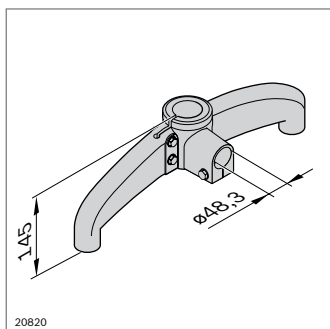
20817



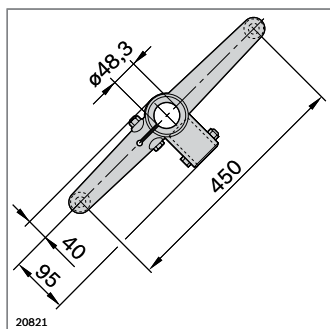
20818



20819



20820



20821

Foot	No.
<b>Tripod</b>	<b>3 842 533 307</b>

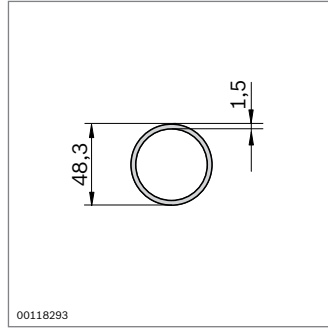
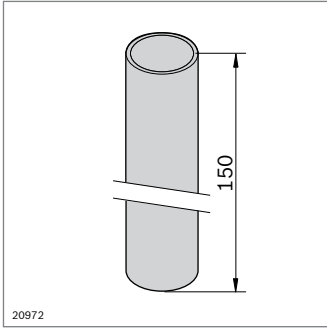
Material: Foot: Stainless steel  
Fastening material: Stainless steel

Foot	No.
<b>Bipod</b>	<b>3 842 533 308</b>

Material: Foot: Stainless steel  
Fastening material: Stainless steel

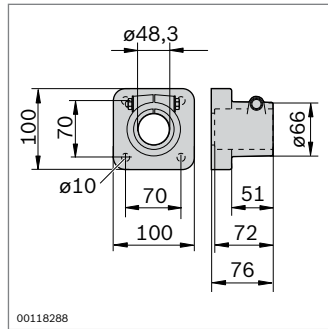
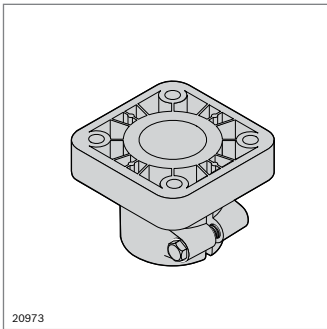
Foot	No.
<b>Bipod with flange</b>	<b>3 842 533 309</b>

Material: Foot: Stainless steel  
Fastening material: Stainless steel



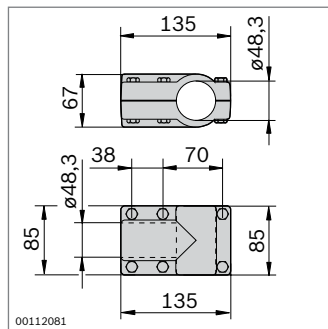
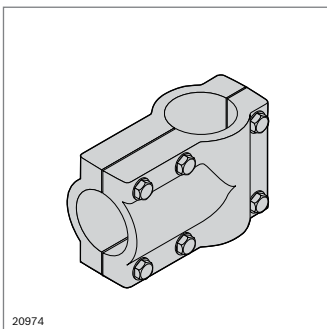
<b>Tube D 48.3</b>		<b>L (mm)</b>	<b>No.</b>
1 pcs		200 ... 3000	<b>3 842 993 308 / L</b>
	6 pcs	3000	<b>3 842 533 901</b>

Material: Stainless steel



<b>Flange</b>	<b>No.</b>
	<b>3 842 533 305</b>

Material: Flange: PA  
Fastening material: Stainless steel



<b>Cross connector</b>	<b>No.</b>
	<b>3 842 533 306</b>

Material: PA  
Fastening material, adjustment screw: Stainless steel